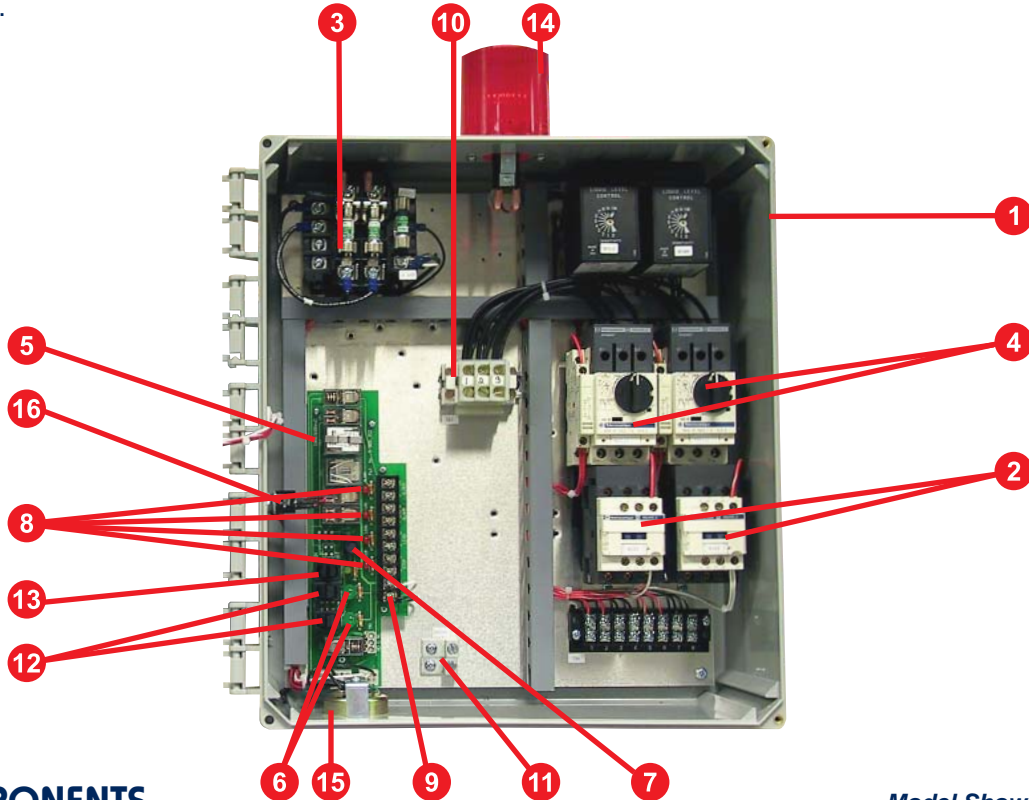


# MODEL 322 Control Panel

## Three phase, duplex alternating pump control with override.

The **Model 322** control panel is designed to alternately control two 208, 240, 480 VAC three phase pumps in industrial and commercial water and sewage systems. The alternating action equalizes pump wear. In addition to the alternating pump control, this system provides override control should either pump fail. If an alarm condition occurs, the alarm switch activates the audio/visual alarm system. Common applications include lift stations, pump chambers, and irrigation systems.



## PANEL COMPONENTS

Model Shown 3221W301X

1. **Enclosure** measures 35.56 x 30.48 x 15.24 cm (14 x 12 x 6 inches)  
NEMA 4X (ultraviolet stabilized thermoplastic with removable mounting feet for outdoor or indoor use)  
**Note:** Options selected may increase enclosure size and change component layout.
2. **IEC Motor Contactors** control pumps by switching electrical lines
3. **Multi-Tap Transformer** (208/240/480 VAC primary) provides 120V control/alarm voltage
4. **Motor Protective Switches** provide adjustable overload, branch circuit protection and pump disconnect
5. **Alternating Circuit Board** provides pump control and alternation (U.S. Patent # 5,909,532)
6. **Green Pump Run Indicator Lights**
7. **Alarm/Control Fuse**
8. **Float Status Indicator Lights**
9. **Float Switch Terminal Block**
10. **Input Power Terminal Block**
11. **Ground Lugs**
12. **HOA (Hand/Off/Automatic) Switches** for manual pump control.
13. **Control ON/OFF Switch**

## STANDARD ALARM PACKAGE

14. **Red Alarm Beacon**
15. **Alarm Horn**
16. **Exterior Alarm Test/Normal/Silence Switch**

**NOTE:** other options available.

**SEE BACKSIDE FOR COMPLETE LISTING OF AVAILABLE OPTIONS.  
SEE INTERNATIONAL PRICE BOOK FOR LIST PRICING.**



**SJE**  
**Rhombus**

PO Box 1708, Detroit Lakes, MN 56502  
Phone: (01) 218 847 1317

email: customer.service@sjerhombus.com

[www.sjerhombus.com](http://www.sjerhombus.com) 23

322

W

### MODEL 322

#### ALARM PACKAGE

- 0 = select options or no alarm package
- 1 = alarm package (includes test/normal/silence switch, fuse, red light, & horn)

#### ENCLOSURE RATING

- W = Weatherproof, NEMA 4X (engineered thermoplastic)

#### PUMP FULL LOAD AMPS

- 001 = 1.0-1.6 FLA
- 101 = 1.6-2.5 FLA
- 201 = 2.5-4.0 FLA
- 301 = 4.0-6.3 FLA
- 401 = 6.0-10.0 FLA
- 511 = 9.0-14.0 FLA
- 611 = 13.0-18.0 FLA
- 621 = 17.0-23.0 FLA
- 701 = 20.0-25.0 FLA

#### FLOAT SWITCH APPLICATION

- H or L = pump down or pump up (select 17 option)
- X = no floats

### OPTIONS *Listed below*



ENCLOSURE UPSIZE - If you selected 3 or more of the ★ options, or one ★★ option.

#### CODE DESCRIPTION

- 1A Red beacon only / no audio
- 1C Horn only / no visual
- 3A Alarm flasher
- 3B Manual alarm reset
- ★ 4A Redundant off (*select option 4D if floats included*)
- 4B Red redundant off indicator & alarm (*must select 4A also*)
- 4D Redundant off float (*must select 4A option*) (*select 17 option*)
- ★ 5A Thermal cutout/heat sensor auto reset (for pumps w/thermal switch leads)
- ★ 5E Seal failure circuit & red indicator (2 wire)
- 6A Auxiliary alarm contact, form C
- 8A Elapsed time meter
- ★ 8C Event (cycle) counter
- \*10A Clear inner swing-out door w/dead front (lights and switches mounted on inner door) \*Panels ordered with this option cannot be returned.
- 10E Lockable latch
- 10G Lightning arrestor
- 10K Anti-condensation heater
- 11C NEMA 1 alarm panel (*select option 6A*)
- 11D NEMA 4X alarm panel (*select option 6A*)

#### CODE DESCRIPTION

- ★14B Main disconnect (*rotary style, mounted through door, non-fused*)
  - ★ 0-10 FLA (total of both pumps)
  - ★ 10-20 FLA (total of both pumps)
  - ★ 20-50 FLA (total of both pumps)
  - 16A 10' cord in lieu of 20'
  - 16B 15' cord in lieu of 20'
  - 16C 30' cord in lieu of 20'
  - 16D 40' cord in lieu of 20'
  - 17A SJE SignalMaster® / pipe clamp ●
  - 17B SJE SignalMaster® / externally weighted ●
  - 17C Sensor Float® / internally weighted ▲
  - 17D Sensor Float® / externally weighted ▲
  - 17E Sensor Float® Mini / pipe clamp ▲
  - 17F Sensor Float® Mini / externally weighted ▲
  - 17J Sensor Float® / pipe clamp ▲
  - 19B Lead lag selector switch
  - 19F Fourth float to separate alarm function from lag
  - 19T TOA (Test/Off/Automatic) switches and pump run lights through door mounted
  - 19U HOA (Hand/Off/Automatic) switches and pump run lights through door mounted
  - 19X Door mounted pump run indicator
- Mechanically-activated ▲ Mercury-activated

*If additional features are required, call the factory for a quote on an Engineered Custom control panel.*

### SAMPLE

#### MODEL

322 1 W 401 H 8AC 17A

- Alarm Package
- Enclosure Rating
- Pump Full Load Amps
- Float Switch Application
- Options: Elapsed Time Meter, Event (cycle) Counter, SJE SignalMaster® / pipe clamp