

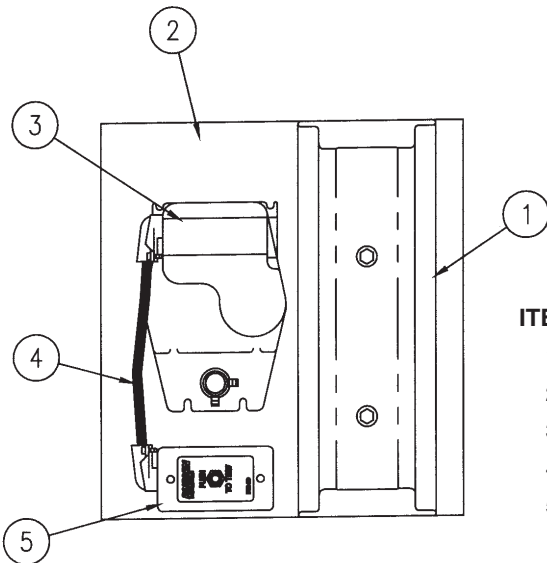
OPERATION INSTRUCTION SUPPLEMENT DTS-SD DAMPER TEST SWITCH FOR SMOKE DAMPERS

APPLICATION

The Damper Test Switch for Smoke Dampers (DTS-SD) is an optional “momentary” push button test switch available on Ruskin smoke dampers. The DTS-SD gives maintenance personnel the ability to “cycle test” the smoke damper by pushing and holding the button until the damper cycles to its de-energized position. The DTS-SD may be supplied factory mounted and wired to the dampers actuators or shipped loose for field wiring.

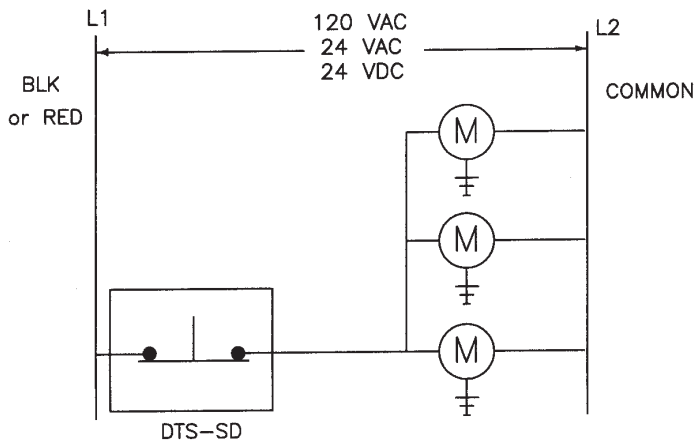


SEE COMPLETE
MARKING ON PRODUCT



ITEM	DESCRIPTION
1.	Smoke Damper
2.	Side Plate or Sleeve
3.	Actuator
4.	Conduit
5.	DTS-SD

WIRING DIAGRAM



Pneumatic actuators to be piped per local codes.
Electric actuators to be wired per the National Electric Code (NEC) and local codes. See actuator for wiring diagrams.