

Yellow Jacket is the portable and mountable fan that takes abuse and stays in use.

SMASHINGLY DURABLE®

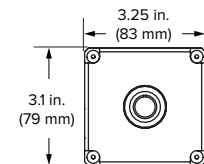
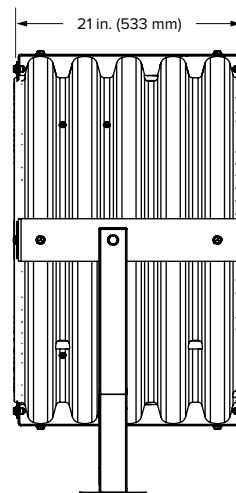
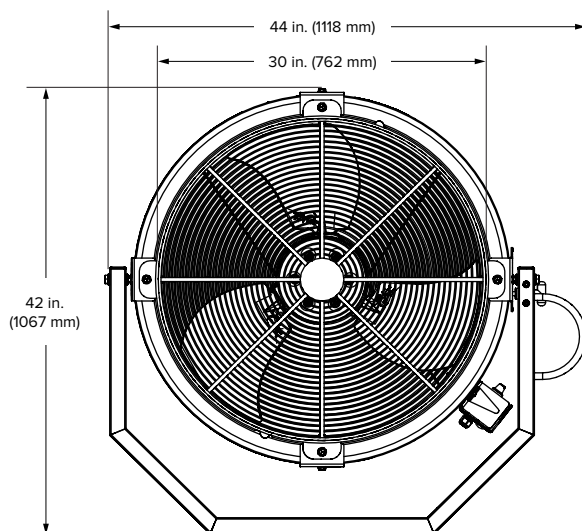
- **Construction** — Heavy-gauge steel frame and OSHA-compliant 1/8-inch (3-mm) steel spiral guards withstand the toughest environments; high density polyethylene housing with vibration dampening properties reduces noise output; water resistant
- **Blades** — Three-dimensional progressive pitch blades made from high-performance polyamide nylon
- **Power Supply** — 10-foot (3-m) cord and plug fits standard power outlets
- **Controller** — Remotely mounted or onboard speed controller provides on/off function and variable speed
- **Colors** — Standard yellow; custom colors available
- **Mounting Options** — Portable base with 8-inch (203-mm) wheels and optional 18- and 36-inch (457- and 914-mm) pedestals for multiple heights; optional mounting kits allow fan to be mounted to a wall, column, beam, bar joists, or ceiling
- **Versatility** — Position locking mechanism provides 360 degrees of rotation
- **Accessories** — Optional misting system, swivel, and oscillating kits available



Technical Specifications

Input power and required breaker	Current	Max speed	Power usage at min/max speed	Operational temperature range	Sound level at max speed ¹	Weight ²	Motor
100–125 VAC, 50/60 Hz, 1 Φ, 15 A	7.9–10.5 A	1317 RPM	20/600 W	-40° F to 122° F (-40° C to 50° C)	80.2 dBA	105 lb (47.6 kg)	0.5 hp (0.37 kW)
200–240 VAC, 50/60 Hz, 1 Φ, 20 A	5.1–6.1 A	1308 RPM					

¹ Fans are sound tested at maximum speed in a laboratory environment. Actual results in field conditions may vary due to sound reflecting surfaces and environmental conditions.
² Weight only includes fan and yoke.



Lead times may vary.
 See full warranty for coverage information.
 Specifications subject to change without notice.



USA
 BIGASSFANS.COM
 877-244-3267

CANADA
 BIGASSFANS.COM/CA
 844-924-4277

AUSTRALIA
 BIGASSFANS.COM/AU
 1-300-244-277

SINGAPORE
 BIGASSFANS.COM/SG
 +65 6709 8500

Yellow Jacket Oscillator

TECHNICAL SPECIFICATIONS

Add an oscillator kit to your Yellow Jacket fan for even more versatility. The oscillator spreads cooling breezes over a bigger area, indoors or out. Yellow Jacket with an oscillator is a convenient, easy way to add airflow — wherever you need it.

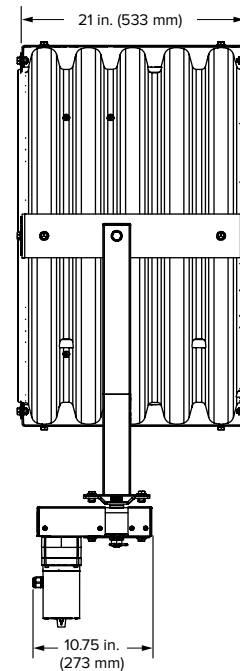
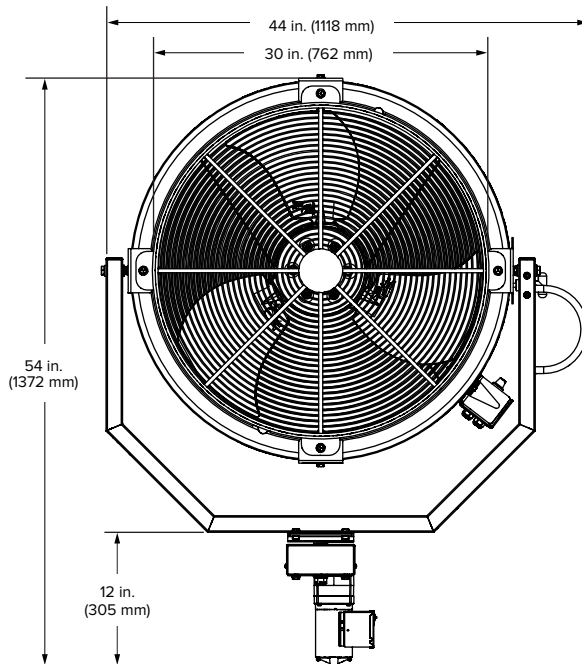
- **Controller** — On/off control switch for full control when concentrated airflow is needed
- **Power Supply** — Single cord powers both the oscillator and fan
- **Mounting Options** — Portable base with 18- or 36-inch (457- and 914-mm) pedestal for adjustable height, I-beam/yoke mount, or wall/column mount
- **Safety Features** — Oscillator assembly is fully enclosed for safety and durability
- **Angle Adjustment** — Adjustable angle of oscillation to 45, 60, or 90 degrees



Technical Specifications¹

Oscillations per minute	Current	Motor
Up to 2.3 OPM	0.33 A @ 100–125 VAC, 1 Φ	0.05 hp (0.037 kW)

¹ See the Yellow Jacket spec sheet for fan specifications.



Lead times may vary.
See full warranty for coverage information.
Specifications subject to change without notice.



USA
BIGASSFANS.COM
877-244-3267

CANADA
BIGASSFANS.COM/CA
844-924-4277

AUSTRALIA
BIGASSFANS.COM/AU
1-300-244-277

SINGAPORE
BIGASSFANS.COM/SG
+65 6709 8500

Yellow Jacket Misting System

TECHNICAL SPECIFICATIONS

For situations when airflow just isn't enough, the Yellow Jacket Misting System provides extra cooling power by way of an ultra-fine mist, which can reduce temperatures by up to 25°F (14°C).

- **Misting Rails** — Four steel rails, each with three nozzles for even mist distribution without the shower effect; adjustable valve for maximum control
- **Misting Nozzles** — Ceramic nozzles designed for durability and reduced clogging; built-in check valves prevent nozzles from dripping when not in use
- **Misting Pump** — Mounted to steel frame; minimal assembly required
- **Filter** — Water supply in-line; 5-micron filter
- **Power Cord** — 8-foot (2.4 m) outdoor-rated power cord with integrated GFCI
- **Water Source** — Accepts standard garden hose
- **Safety** — Low pressure water sensor protects pump if water source is turned off
- **Easy Maintenance** — System can be flushed to maintain clean hoses, pump, and other components

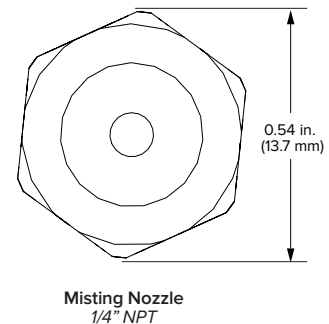
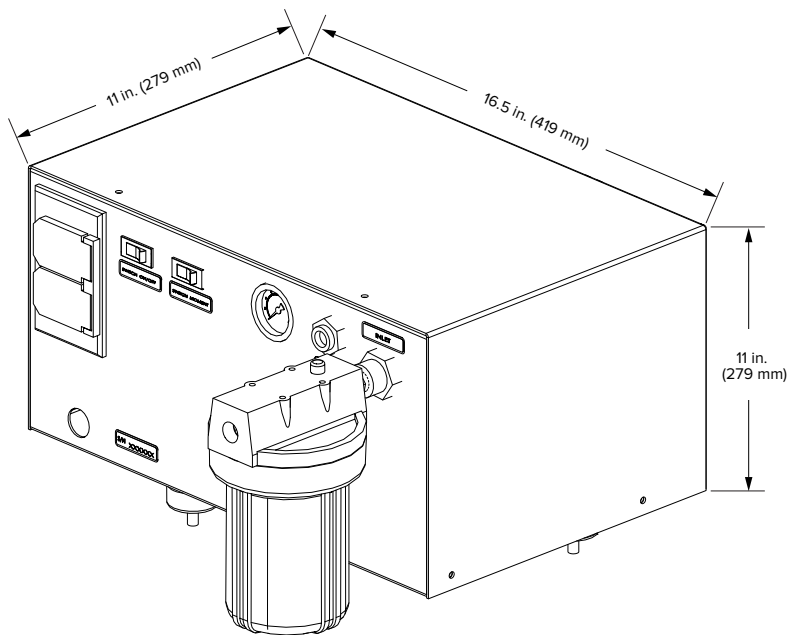


Technical Specifications¹

Input power and breaker	Maximum pressure	Maximum flow	Required inlet water supply pressure ²	Required inlet water supply temperature	Pump motor
100–125 VAC, 60 Hz, 1 Φ, 5 A	1000 PSI	0.25 GPM	15–60 PSI	Below 140°F (60°C)	0.5 hp (0.37 kW)

¹ See the Yellow Jacket spec sheet for fan technical specifications.

² If your water supply pressure is higher than 60 PSI, you will need to install a pressure regulator.



*Lead times may vary.
See full warranty for coverage information.
Specifications subject to change without notice.
Misting rails add 2 in. (51 mm) to depth of fan.*



USA
BIGASSFANS.COM
877-244-3267

CANADA
BIGASSFANS.COM/CA
844-924-4277

AUSTRALIA
BIGASSFANS.COM/AU
1-300-244-277

SINGAPORE
BIGASSFANS.COM/SG
+65 6709 8500