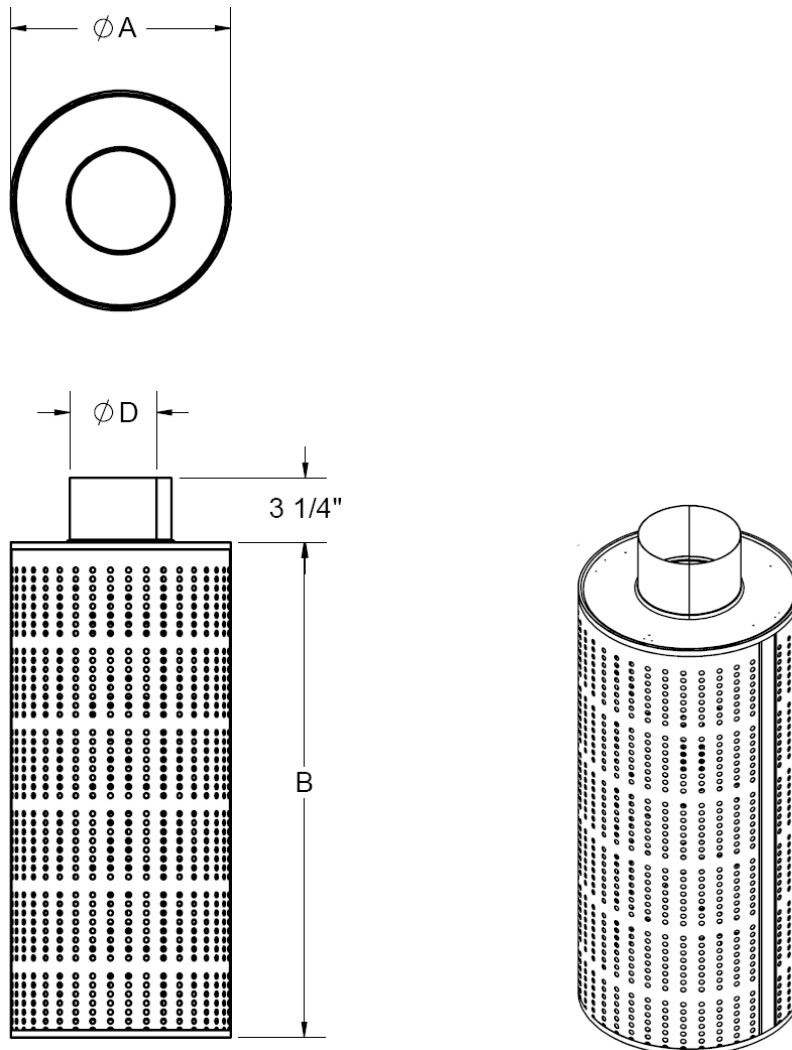


DVCP

Circular Displacement Diffuser



Model	Inlet Size	Nominal Unit Size	Unit Dimensions (inches)		
			A	B	D
DVCP	5	11 x 24	10 7/16	24	4 7/8
	6	12 x 24	11 13/16	24	5 7/8
	8	14 x 36	13 3/8	35 3/4	7 7/8
	10	16 x 36	15 3/8	35 3/4	9 7/8
	12	18 x 59	17 15/16	59 3/8	11 7/8
	16	22 x 79	21 1/4	78 1/4	15 7/8
	20	26 x 79	25 1/4	78 1/4	19 7/8
24	31 x 79	30 5/16	78 1/4	23 7/8	

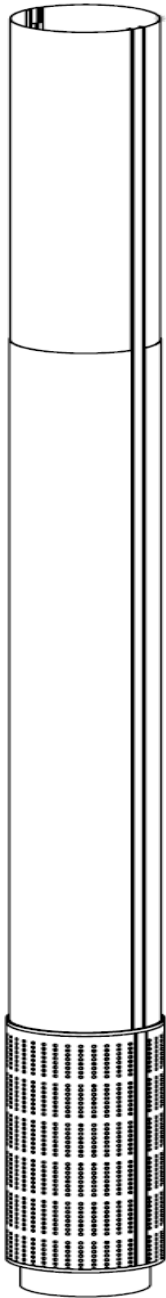
Note: All dimensions are in inches

This submittal is meant to demonstrate general dimensions of this product. The drawings are not meant to detail every aspect of the product. Drawings are not to scale.

Titus reserves the right to make changes without written notice.

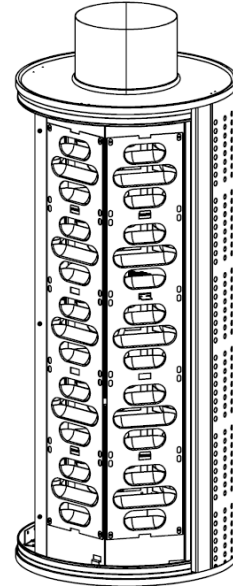
All rights reserved. No part of this work may be reproduced or transmitted in any form or by any means, electronic or mechanical, including photocopying and recording, or by any information storage retrieval system without permission in writing from Air Distribution Technologies.

Optional telescopic duct cover



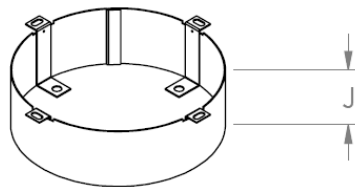
Unit Size	Diffuser height with duct cover kit *	
	Min	Max
11x24	91 9/16	123 7/16
12x24	91 9/16	
14x36	83 12/16	
16x36	83 12/16	
18x59	90 12/16	
22x79	90 12/16	
26x79	109 1/4	
31x79	109 1/4	

* Height dimensions do not include mounting base



View showing integral variable air pattern controllers

Optional mounting base
Height (J): 2-3/4" or 4"



Note: All dimensions are in inches

General Description

- DVCP is a circular displacement diffuser with 360° air discharge pattern for floor installation
- The DVCP is designed to supply a large volume of air at low velocity to the occupied zone
- Includes integral variable air pattern controllers for easy adjustment of the air flow spread pattern
- Includes air volume measurement outlet to facilitate balancing. K-factor is marked on outlet
- Material is galvanized steel and aluminum
- Standard finish is #26 white (powdercoat)
- Mounting base and telescopic duct cover are available as accessories

This submittal is meant to demonstrate general dimensions of this product. The drawings are not meant to detail every aspect of the product. Drawings are not to scale.

Titus reserves the right to make changes without written notice.

All rights reserved. No part of this work may be reproduced or transmitted in any form or by any means, electronic or mechanical including photocopying and recording, or by any information storage retrieval system without permission in writing from Air Distribution Technologies.