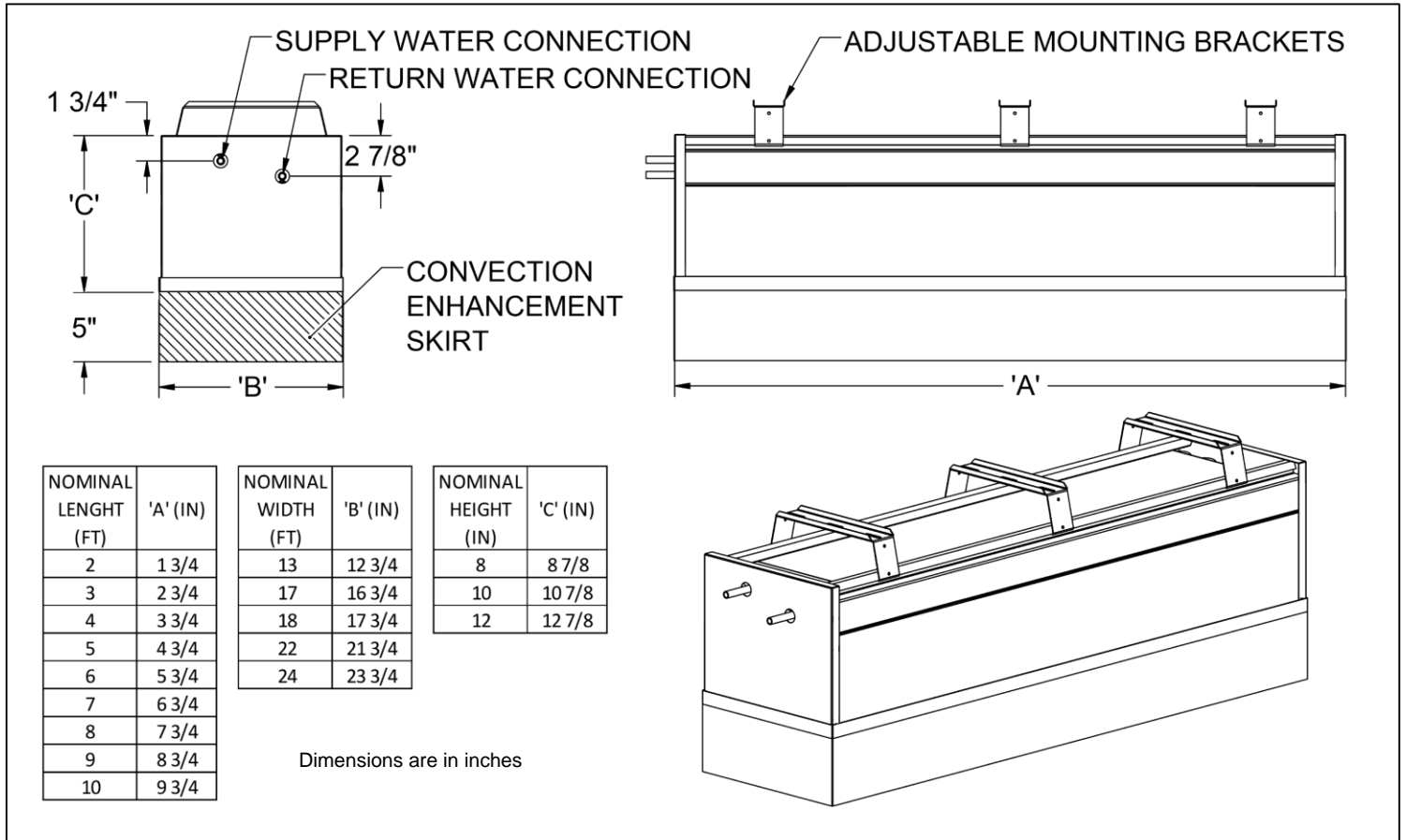


## Passive Chilled Beam

### CBPR • Passive Chilled Beam Diffuser • Recessed Installation



NOMINAL LENGTH (FT)	'A' (IN)
2	13 3/4
3	23 3/4
4	33 3/4
5	43 3/4
6	53 3/4
7	63 3/4
8	73 3/4
9	83 3/4
10	93 3/4

NOMINAL WIDTH (FT)	'B' (IN)
13	12 3/4
17	16 3/4
18	17 3/4
22	21 3/4
24	23 3/4

NOMINAL HEIGHT (IN)	'C' (IN)
8	8 7/8
10	10 7/8
12	12 7/8

Dimensions are in inches

### General Description

- Provides comfortable, effective sensible cooling to the space
- Ultra quiet, natural convection driven operation
- 1/2" Sweat or 1/2" MNPT coil connections
- Quick and simple installation
- Recessed installation

### Basic Configuration

Check  if provided.

#### Width

- 13 inches  
 17 inches  
 18 inches  
 22 inches  
 24 inches

#### Length

- 2 feet  
 3 feet  
 4 feet  
 5 feet  
 6 feet

#### Height

- 8 inches  
 10 inches  
 12 inches

#### Coil Connection

- 1/2" Sweat Connection  
 1/2" MNPT Connection

### Accessories

Check  if provided.

- Coil Drain  
 12" Stainless Steel Flex Hose  
 18" Stainless Steel Flex Hose  
 24" Stainless Steel Flex Hose

This submittal is meant to demonstrate general dimensions of this product. The drawings are not meant to detail every aspect of the product. Drawings are not to scale.

Titus reserves the right to make changes without written notice.

All rights reserved. No part of this work may be reproduced or transmitted in any form or by any means, electronic or mechanical, including photocopying and recording, or by any information storage retrieval system without permission in writing from Air Distribution Technologies.