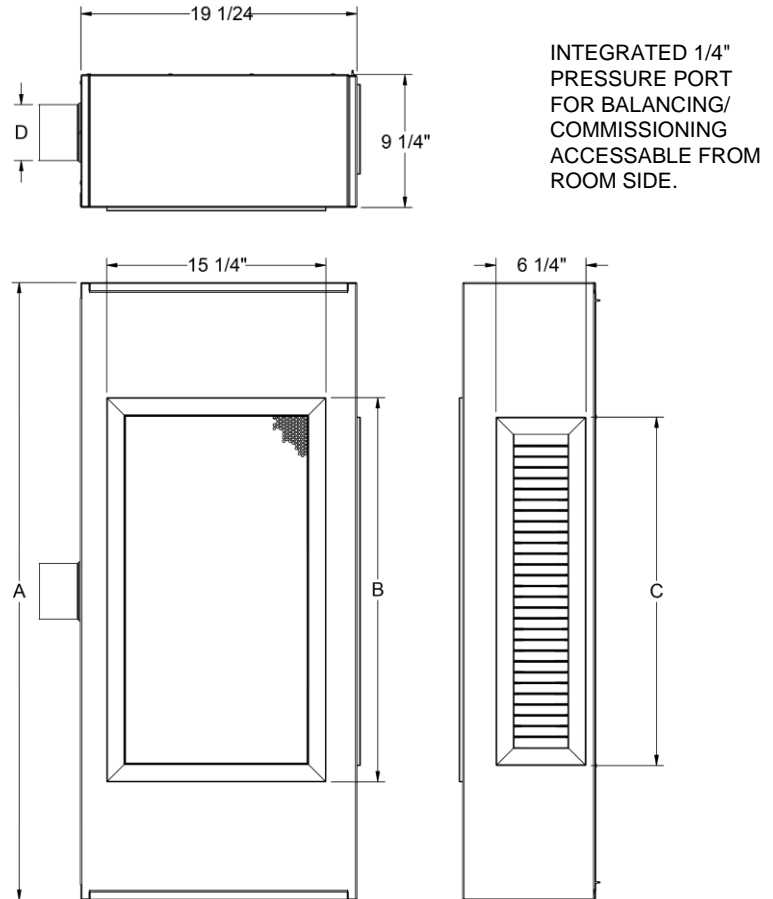


CBAC • Exposed Bulkhead Mounted Active Chilled Beam

NOMINAL LENGTH	A	B	C
2 FT	43	26 3/4	24 1/4
3 FT	55	38 3/4	36 1/4
4 FT	67	50 3/4	48 1/4
5 FT	79	62 3/4	60 1/4
6 FT	91	74 3/4	72 1/4

NOMINAL INLET	D	E
4 INCH	3 7/8	3 7/8
5 INCH	4 7/8	4 7/8
6 INCH	5 1/4	6 1/4
8 INCH	5 1/4	9 3/8



General Description

- Exposed bulkhead/corner mounted active chilled beam diffuser, available with 1-way air distribution.
- Designed with a shallow profile for low height construction and retrofit projects.
- 2 to 6 feet chilled beam length in 1 foot increment.
- 2 pipe or 4 pipe coil configurations.
- Casing manufactured with galvanealed G90 , 20 gauge sheet metal. Mechanically sealed, leak resistant construction.
- Coil with air vent and 1/2" water connection, available with sweat or threaded connection.
- 4 rails and adjustable mounting brackets are provided on each rail.
- 5, 6 or 8 inch round inlet connections, located either on the rear of unit.
- Return face panel assembly is removable providing easy access to internal components
- Supply and return grilles available in multiple styles to match project architecture.
- Exterior cabinet, supply, and return grilles are provided in selected color finish. Paint is powder coat, a mix of polyester and epoxy.

Basic Unit Configuration

Unit Length (nominal - ft)

- 2 3 4
 7 5 6

Nozzle Configuration

- B1 B2
 B3 B4

Supply Grille Type

- Louvered Grille, Single Deflection
 Linear Bar Grille

Coil Type - Water Side Connection

- 2 Pipe - Left Hand
 2 Pipe - Right Hand
 4 Pipe - Left Hand
 4 Pipe - Right Hand

Coil Connection -Type

- ½ in Sweat
 ½ in MNPT

Primary Air Inlet Diameter Connection (inch)

- 4 5 6 8

Flexible Connections

- 12" Stainless Steel Flex Hose Connection
 18" Stainless Steel Flex Hose Connection
 24" Stainless Steel Flex Hose Connection

Return Grille Type

- Circular Perforation
 Linear Bar Grille
 Louvered Grille
 Egg Crate Grille

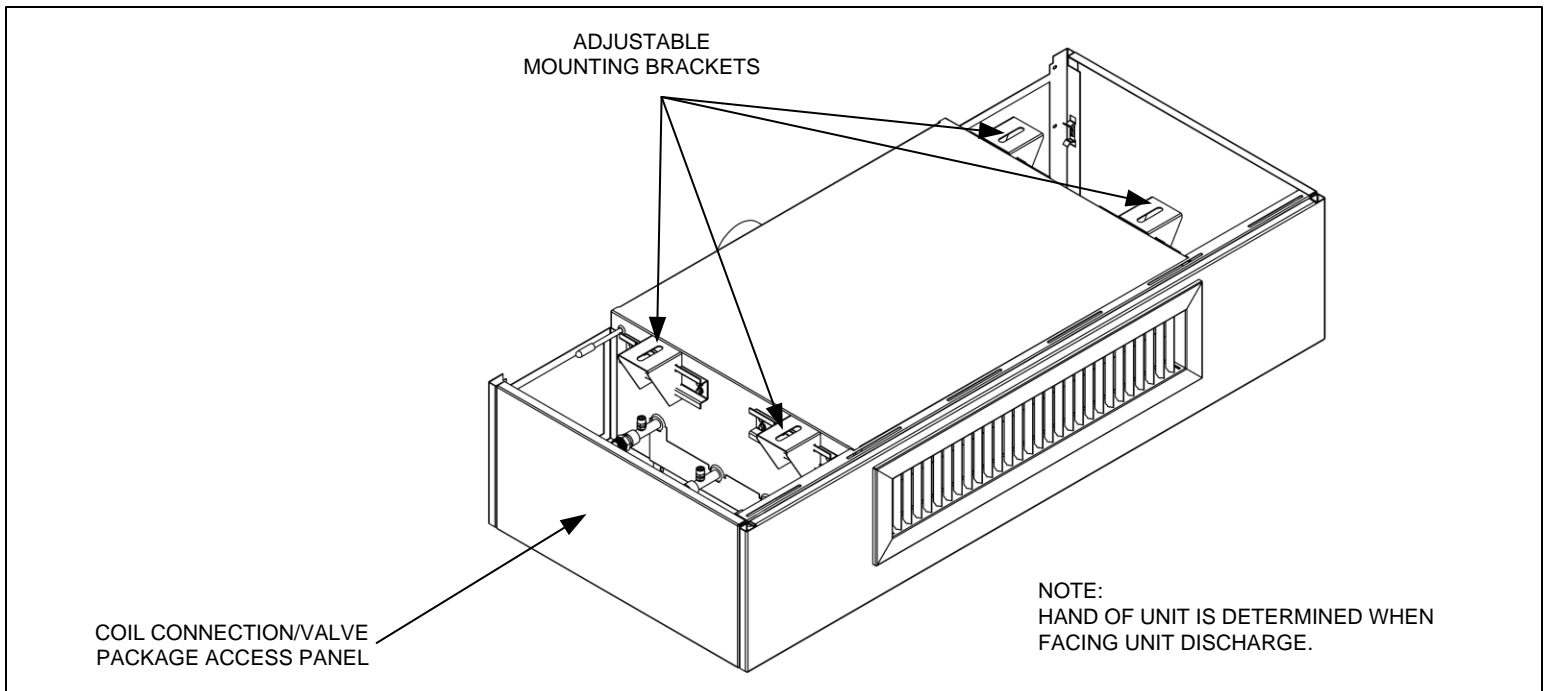
Unit Options

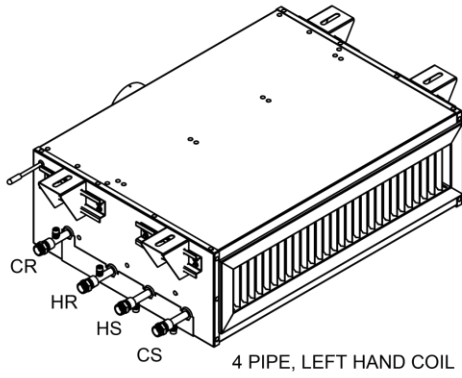
- ½ in EcoShield
 External Plenum Insulation

Exposed Face Finish Color

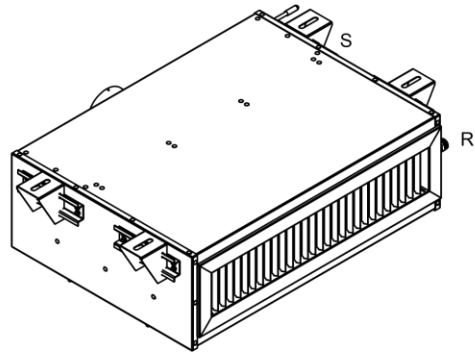
- White #26
 Black #84

Unit Option Details

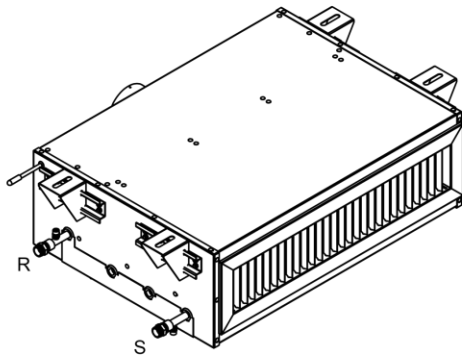




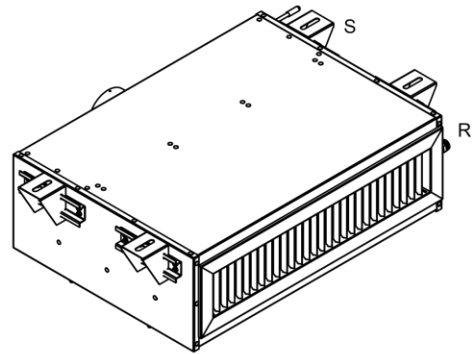
4 PIPE, LEFT HAND COIL



4 PIPE, RIGHT HAND COIL



2 PIPE, LEFT HAND COIL



2 PIPE, RIGHT HAND COIL

R - RETURN S - SUPPLY
 HR - HEATING RETURN HS - HEATING SUPPLY
 CR - COOLING RETURN CS - COOLING SUPPLY

NOTE: UNIT COVER NOT SHOWN FOR CLAIRTY

This Submittal is meant to demonstrate general dimensions and information of this product. The drawings are not meant to detail every aspect of the product. Drawings are not to scale. Titus reserves the right to make changes without written notice.

All rights reserved. No part of this work may be reproduced or transmitted in any form or by any means, electronic or mechanical, including photocopying and recording, or by any information storage retrieval system without permission in writing from Air Distribution Technologies, Inc