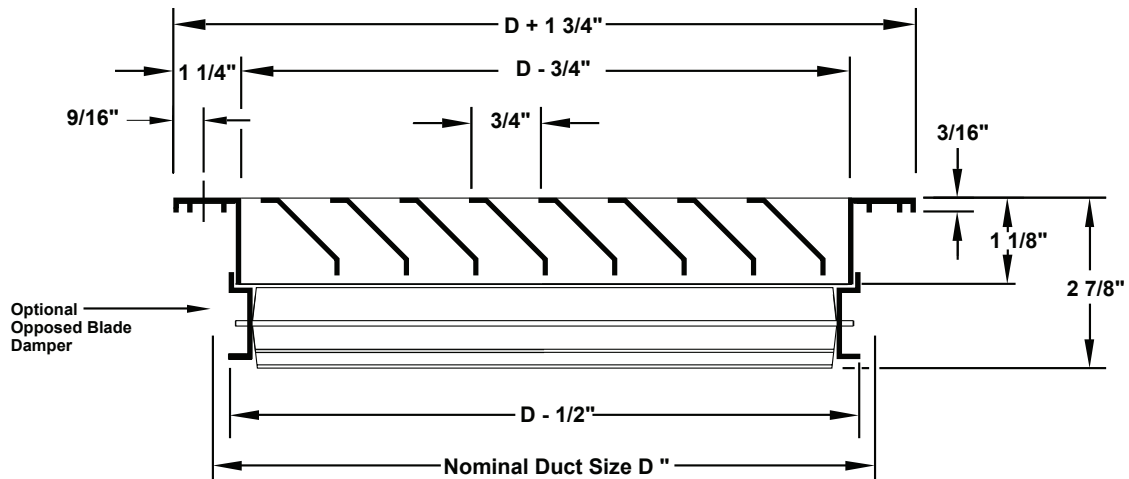


Louvered Return Grilles and Registers • Aero-Blade Series • Aluminum

Models: 3FL • 45° Deflection • Long Blades • 3/4" Blade Spacing

3FS • 45° Deflection • Short Blades • 3/4" Blade Spacing

Border Type 1 • Surface Mount



Available Sizes (D" x D")

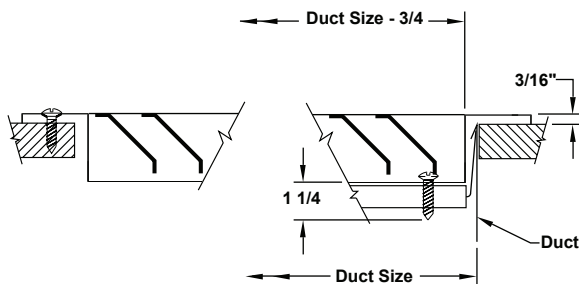
Border Type 1 is available in sizes 6" x 4" through 48" x 48" in one piece construction. Sizes larger than 48" x 48" are shipped in multiple sections with joining strips for field assembly. Odd and fractional sizes are available at additional cost.

Note: Dimensions are in inches. Wall or duct opening should be duct size $\pm 1/8$."

Fastenings

Type A • External Screw

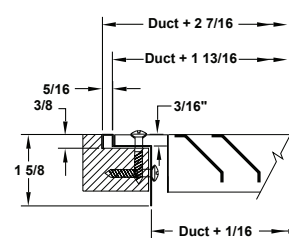
Type C • Concealed Screw



Available with Border Type 1 only.

Mounting Frames

PFAP • Aluminum Plaster Frame



Recessed Mounted Example

Note: Wall opening should be listed duct size + 1/8" to listed duct size + 1/4". Model PFAP Plaster Frame can be installed as either surface mount or recessed.

Accessories (Optional)

Check if provided

- Opposed blade damper (galvanized steel)
- EQT • Earthquake Tabs

- IS • Insect Screen (1/16" square mesh – galvanized steel)
- DS • Debris Screen (1/4" square mesh – galvanized steel)
- Other: _____

Standard Finish: #26 White

Other Finish: _____

General Description

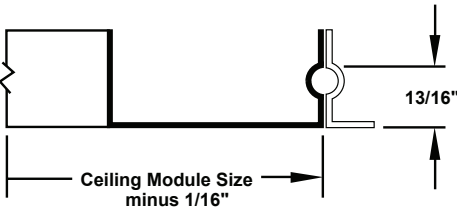
- One set of 45° fixed blades.
- Optional opposed blade damper has slide adjustment accessible at face of register.

- Material is heavy extruded aluminum for blades and border.
- #8 x 1 1/4" lg. Phillip's flat head sheet metal screws painted white.

• All dimensions are $\pm 1/16$ ".

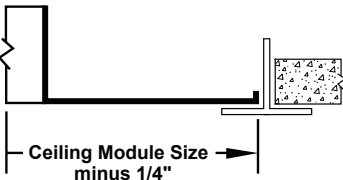
Optional Border Types Available

Border Type 2 (Snap-in)
Panel Mounted



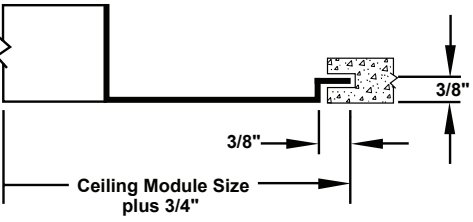
Available in 24" x 24" modules with neck sizes up to 20" x 20".

Border Type 3 (Lay-in)
Panel Mounted



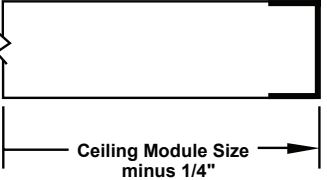
Available in all standard module sizes with neck sizes up to module size minus 2".

Border Type 4 (Spline)
Panel Mounted



Available in 24" x 24" modules with neck sizes up to 20" x 20".
Splines on 2 opposite sides only

Border Type 7 (Channel)



Available in sizes up to 48" x 48".

Border Type 2, 3, 4

• Accessories & Options

Check if provided

- Neck mounted opposed blade damper (galvanized steel)
- IS • Insect Screen (1/16" square mesh – galvanized steel)
- DS • Debris Screen (1/4" square mesh – galvanized steel)
- EQT • Earthquake tabs
- Other _____

Standard Finish: #26 White

Optional finish _____

Border Type 7

• Accessories & Options

Check if provided

- EQT • Earthquake tabs
- Other _____

Standard Finish: #26 White

Optional finish _____

