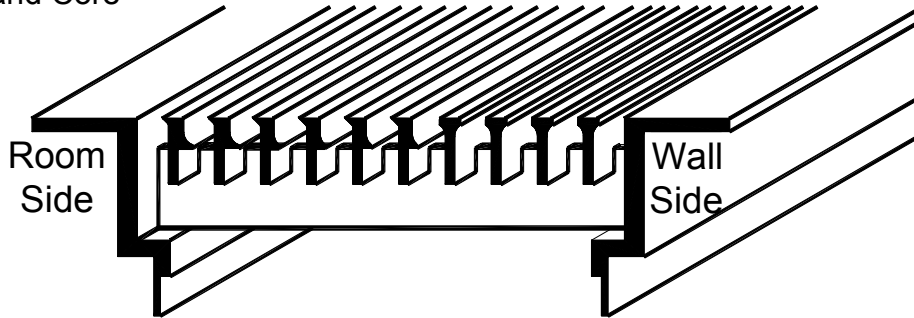


CT-TAF-L

Access Floor Diffuser Series

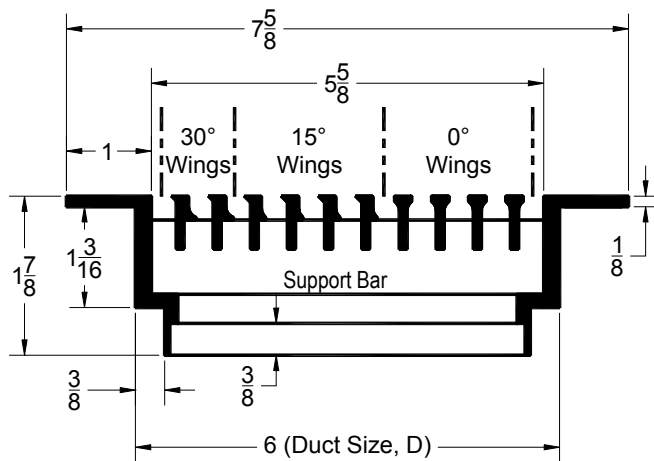
Perimeter Linear Bar Diffuser • Aluminum • Fixed Bars • Pencil Proof

Diffuser Frame and Core



CT-TAF-L is only available with Type 5 Heavy Duty CT Floor Frame. Diffuser core is a combination of CT-PP-0, CT-541, and CT-PP-3 Core (0°, 15°, and 30° Deflection).

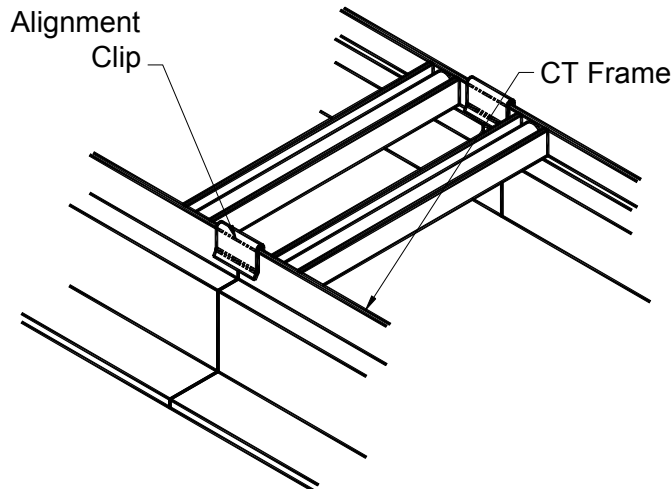
Dimensions



CT-TAF-L is only available in 6" duct widths. Length can be ordered to fit perimeter.

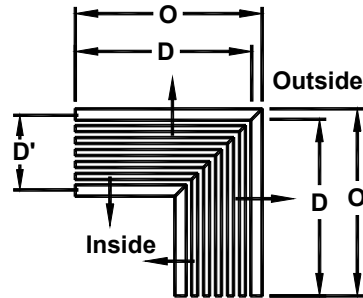
Alignment Clip

Alignment clip model AC-500 is sold separately in quantities of 500.



Miter Corner – MC-TAF-L

- Type A • Deflection Inside*
- Type B • Deflection Outside*



MC-TAF-L Dimensions

Duct Width D'	Duct Length D	O
6"	18	18 ¹³ / ₁₆

*Note: 0° deflection wings must be on wall side of frame when installed.

General Description

- Titus CT-TAF-L is a fixed linear bar diffuser for underfloor perimeter return applications.
- The CT-TAF-L is designed to be integrated with the TAF-L-V, TAF-L-H, TAF-L-R, TAF-L-C, and TAF-L-W plenums (see TAF-L-V, TAF-L-H, TAF-L-R, TAF-L-C, and TAF-L-W submittals for more information).
- CT frame drops into perimeter slot and sits on top of carpeting.
- CT-TAF-L Core drops into frame.
- Installs into the TAF-L plenums from the top surface. Removal of the flooring is not required.
- 1/2" maybe cut from the end of the frame and core
- NEVER cut off the last core support or frame support
- 0 deg deflection wings of core must be on wall side of frame when installed.
- Sections can be joined end-to-end for continuous appearance, using alignment clips.
- Standard lengths are 1, 2, 3, 4, 5 and 6 feet, furnished as complete, welded assemblies.
- Lengths greater than 6 feet are furnished in multiple sections, the number and size determined by the factory.
- All deflection bars are fixed and are parallel to the long dimension.
- Fixed Bars are extruded aluminum.
- Standard finish is #26 white.



Note: This submittal is meant to demonstrate general dimensions of this product. The drawings on this submittal are not meant to detail every aspect of the product with exactness. Drawings are not to scale. TITUS reserves the right to make changes without written notice.

605 Shiloh Road • Plano, Texas 75074 • 972-212-4800